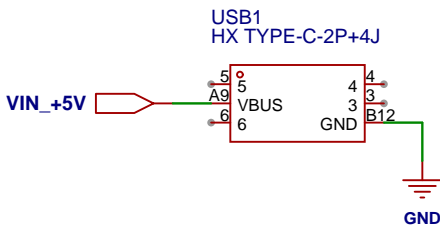
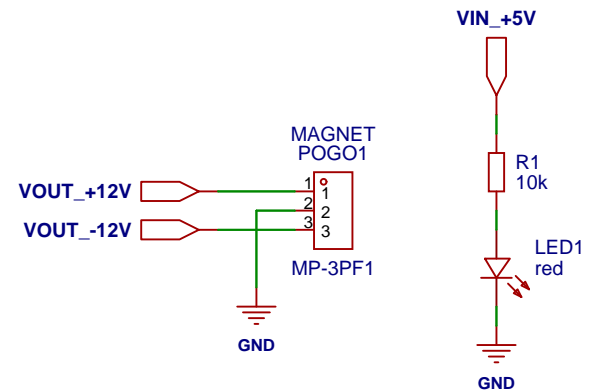
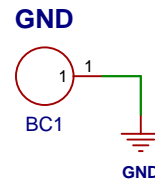


DC/DC CONVERTER



USB INPUT



DC OUTPUT / POWER LED

MMK - POWER

revision : 1.5

sheet : 1/1

JLF

project : Magnet Modular Kit

date : 04/03/2026 - drawn : f3rm10n